

**BN4-SS SERIES ENCLOSURES  
NEMA 4X JIC CLAMP COVER WALL-MOUNT**


BN4060604SS

**Industry Standards**

 UL 50, Types 4, 4X, 12 & 13  
(6 X 6 X 4 & above)

 UL 508, Types 4, 4X, 12 & 13 (6 X 4 X  
3 & smaller)

CSA Certified, Types 4 &amp; 12

NEMA/EEMAC Type 4, 4X, 12 &amp; 13

JIC EL-1-71

UL Files E23553, E64791

CSA File LL66078

**FEATURES-SPECIFICATIONS**
**Applications**

Provides unmatched protection for housing electrical components in highly corrosive environments. This enclosure is used in indoor and outdoor settings that are frequently wet or have constant exposure to water, other liquids, or contaminants.

**Construction**

- Bodies and doors fabricated from 16 gauge type 304 stainless steel
- Continuously welded seams ground smooth, less knockouts or holes

- Closed cell oil resistant neoprene gasket
- External mounting plates, top and bottom of enclosure
- Weldnuts are provided on models 6.00" x 4.00" and larger to secure optional panel
- Stainless steel screws and clamps on four sides of cover assure water-tight seal
- Grounding provisions provided
- **Optional** panels and terminal kits must be ordered separately

**Finish**

- Cover and outside of enclosure have a smooth grained finish
- **Optional** back panels are white polyester powder over phosphatized surfaces or grained finish stainless steel

**Accessories**

- Back panels (reference tables)
- See pages J1-J19

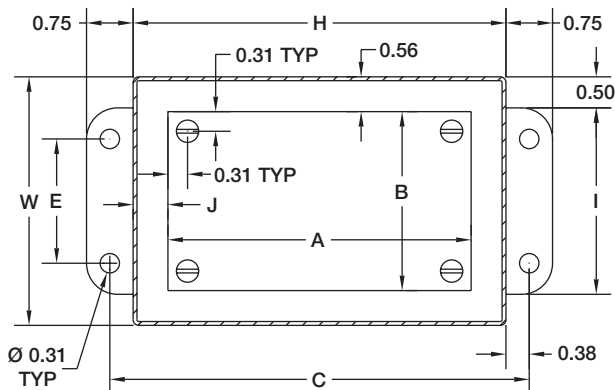
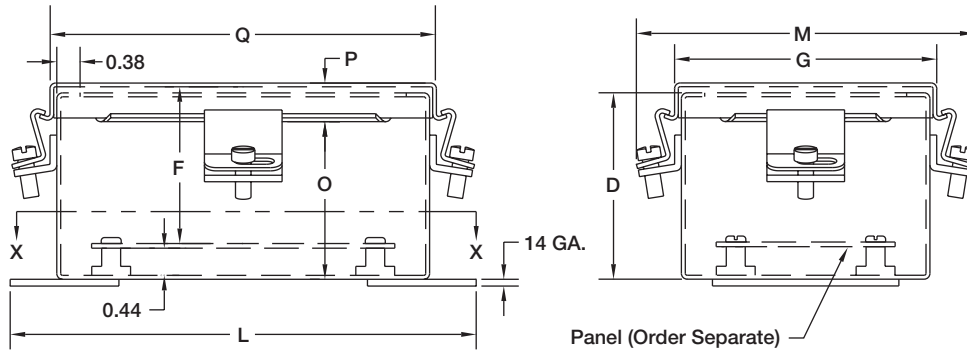
**BN4-SS SERIES JIC CLAMP COVER STAINLESS ENCLOSURES**

CATALOG NUMBER	BODY/DOOR STEEL GAUGE	ENCLOSURE SIZE H X W X D	BACK PANEL CATALOG NUMBER*		BACK PANEL SIZE A X B	MOUNTING C X E	OVERALL L X M	F	G	I	J	K	N	O	P	Q
			WHITE	304 S.S.												
BN4040403SS	16/16	4.00x4.00x3.00 (102x102x76)	—	—	—	4.75x2.00 (121x51)	5.50x5.63 (140x143)	2.53 (64)	4.31 (109)	3.00 (76)	—	1.38 (35)	1.38 (35)	2.53 (64)	0.63 (16)	4.31 (110)
BN4060403SS	16/16	6.00x4.00x3.00 (152x102x76)	P0604	P0604SS◀	4.88x2.88 (124x73)	6.75x2.00 (171x51)	7.50x5.63 (191x143)	2.53 (64)	4.31 (109)	3.00 (76)	0.56 (14)	1.38 (35)	2.38 (60)	2.53 (64)	0.63 (16)	6.31 (160)
BN4060604SS	16/16	6.00x6.00x4.00 (152x152x102)	P0606	P0606SS◀	4.88x4.88 (124x124)	6.75x4.00 (171x102)	7.50x7.63 (191x194)	3.53 (90)	6.31 (160)	5.00 (127)	0.56 (14)	2.38 (60)	2.38 (60)	3.53 (90)	0.63 (16)	6.31 (160)
BN4080604SS	16/16	8.00x6.00x4.00 (203x152x102)	P0806	P0806SS◀	6.88x4.88 (175x124)	8.75x4.00 (222x102)	9.50x7.63 (241x194)	3.53 (90)	6.31 (160)	5.00 (127)	0.56 (14)	2.38 (60)	3.38 (86)	3.53 (90)	0.63 (16)	8.31 (211)
BN4100804SS	16/16	10.00x8.00x4.00 (254x203x102)	P1008	P1008SS◀	8.88x6.88 (226x175)	10.75x6.00 (273x152)	11.50x9.63 (292x244)	3.53 (90)	8.31 (211)	7.00 (178)	0.56 (14)	3.38 (86)	1.50 (38)	3.53 (90)	0.63 (16)	10.31 (262)
BN4121005SS	16/16	12.00x10.00x5.00 (305x254x127)	P1210	P1210SS◀	10.88x8.88 (276x226)	12.75x8.00 (324x203)	13.50x11.63 (343x295)	4.53 (115)	10.31 (262)	9.00 (229)	0.56 (14)	2.00 (51)	3.00 (76)	4.53 (115)	0.63 (16)	12.31 (313)
BN4141206SS	16/16	14.00x12.00x6.00 (356x305x152)	P1412	P1412SS◀	12.88x10.88 (327x276)	14.75x10.00 (375x254)	15.50x13.63 (394x346)	5.53 (141)	12.31 (313)	11.00 (279)	0.56 (14)	2.00 (51)	3.00 (76)	5.53 (141)	0.63 (16)	14.31 (364)
BN4161406SS	16/16	16.00x14.00x6.00 (406x356x152)	P1614	P1614SS◀	14.88x12.88 (378x327)	16.75x12.00 (425x305)	17.50x15.63 (445x397)	5.53 (141)	14.31 (363)	13.00 (330)	0.56 (14)	3.50 (89)	1.50 (38)	5.53 (141)	0.63 (16)	16.31 (414)

◀ NEW PRODUCT IN 2003

\*Back panels must be ordered separately.


**WIEGMANN®**

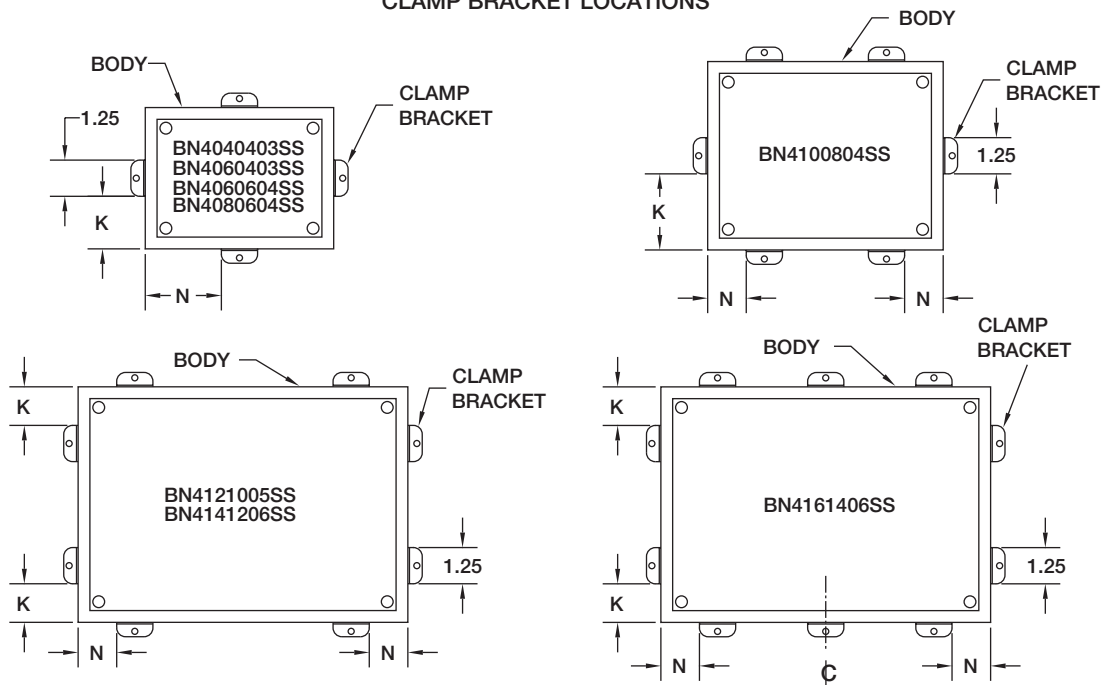


SECTION X-X

Notes:

- 1. Panels are 14 Ga. steel.
- 2. Panel Screws are #10-32 Pan Head.

CLAMP BRACKET LOCATIONS





P0808

**FEATURES-SPECIFICATIONS**

**Description**

- 14 gauge (carbon and stainless)
- White polyester powder finish on steel panels
- Aluminum panels are 5052-H32 aluminum alloy, .080-inch thick
- Panels fit the following enclosures:
  - B
  - BCH
  - BN4
  - BN4CH
  - BN4SS
  - BN4CHSS
  - BN4AL
  - BN4CHAL

BACK PANELS FOR JIC ENCLOSURES			
CATALOG NUMBER			PANEL SIZE A X B
PAINTED STEEL (WHITE)	304 STAINLESS STEEL	ALUMINUM	
P0604	P0604SS	P0604AL	4.88x2.88 (124x73)
P0606	P0606SS	P0606AL	4.88x4.88 (124x124)
P0806	P0806SS	P0806AL	6.88x4.88 (175x124)
P0808	—	—	6.88x6.88 (175x175)
P1008	P1008SS	P1008AL	8.88x6.88 (226x175)
P1010	—	—	8.88x8.88 (226x226)
P1206	—	—	10.88x4.88 (276x124)
P1210	P1210SS	P1210AL	10.88x8.88 (276x226)
P1212	P1212SS	—	10.88x10.88 (276x276)
P1408	—	—	12.88x6.88 (327x175)
P1412	P1412SS	P1412AL	12.88x10.88 (327x276)
P1610	—	—	14.88x8.88 (378x226)
P1614	P1614SS	P1614AL	14.88x12.88 (378x327)

